

## Automatic Lifting Hook for Crane Elebia

---

### Product information

Auto crane hook, allows you to remotely attach and release loads with no handling. It catches the masterlink with a magnet, a sensor indicates when the ring is in the right position, and a reinforced safety latch keeps the load safely attached during lifting.

10 and 20 tons are available in a Compact version (C)

[... Read more](#)



---

**Material:** Body: WELDOX® high strength steel body.

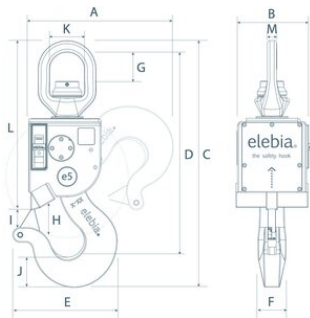
**Temperature range:** -20°C up to +85°C.

**Safety factor:** 4:1

- **Note:** Battery and charger are sold separately

## Automatic Lifting Hook for Crane Elebia

### Blueprint



### Technical data

Part code	WLL ton	Model	Max. releasable weight kg	A mm	B mm	C mm	D mm	E mm	F mm	G, mm	H, mm	I mm mm	J mm	K mm	L mm	Mmm mm	Weight kg
420500200080	2	evo2	20	188	131.5	269.3	22	120.9	42.5	28.8	26.7	21.3	11	-	-	-	7
420500500080	5	evo5	15-30	277	170	469	409	194	43	49	57.6	25	41	58	350	15	26
420501000080	10	evo10	20	342	182.3	584	485	246	66	68	83	42	72	82	400,4	22	36
420502000080	20	evo20	20	341	182.3	663	553	246	66	105	83	42	72	115	480	29	43
420502500080	25	evo25	20	341	182.3	735	618	246	66	138.5	83	42	72	133	550	34	48