

Solid Thimble S-6134

Product information



Solid thimble for mounting on steel wire ropes. Designed for heavy-duty, permanent connections in rigging and lifting applications.

Certification on request: 2.1

... [Read more](#)

Material: Cast mild steel, (GTW 40)

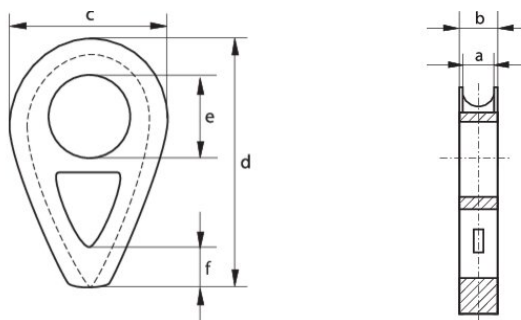
Marking: According to standard, CE-marked

Finish: Self coloured

Standard: DIN 3091

Solid Thimble S-6134

Blueprint



Technical data

Part code	Rope Ø range mm	a mm	b mm	c mm	d mm	e mm	f mm	Weight kg/100pc
123100800310	8	9	15	40	56	14	-	1.3
123101000310	10	11	17.5	50	70	18	-	1.7
123101200310	12	13	20	60	84	21	-	2
123101400310	14	16	23.5	70	98	25	-	2.5
123101600310	16	18	26	80	130	28	16	3.2
123101800310	18	20	28.5	90	145	31	18	4.6
123102000310	20	22	31	100	161	35	20	6.6
123102200310	22	24	33.5	110	177	38	22	9
123102400310	24	26	36	120	193	41	24	14
123102800310	28	31	42	140	224	47	28	39
123103200310	32	35	47	160	256	53	32	73
123104000310	40	44	58	200	320	65	40	113
123104400310	44	48	63	220	352	70	44	148
123104800310	48	53	69	240	384	76	48	193