

Vægspil type 4210, 421 / Hand rope winch type 4210, 421

Hånd-wirespil

- Enkel og sikker betjening.
- Enkel og pladsbesparende montering.
- Korrosionsbeskyttet.
- Drejeligt hhv. klapbart håndtag.
- Gennemprøvet sikkerhedssystem.

Leveringsmuligheder:

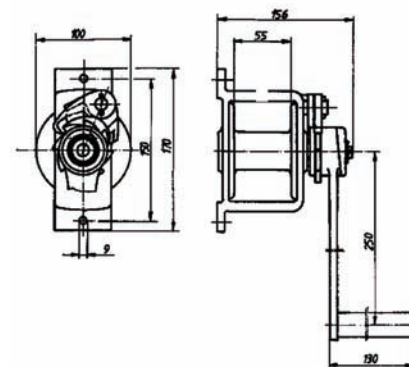
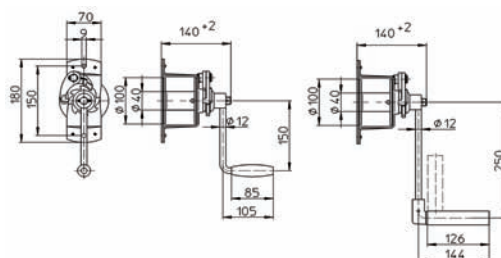
- Galvaniseret: type 4210
- Stålstøbt: type 421
- Rustfri stål: type 4210

Hand rope winches

- Easy and safe operation.
- Easy and space-saving mounting.
- Corrosion resistant.
- Turning respectively foldable crank.
- Proven security concept.

Optional:

- Zinc plated: type 4210
- Cast iron: type 421
- Stainless steel: type 4210



Art. No.	05-5021001	05-5021002	05-5021000
Type	421.0,125	4210.0,125	4210.0,125
Mounting	Wall	Wall	Wall
Material	Cast iron	Zinc plated	Stainless Steel
Capacity 1 st rope position	125 kg	125 kg	125 kg
Lift/crank turn	135 mm	135 mm	135 mm
Crank force	170 N	140 N	140 N
Rope capacity	15 m	15 m	15 m
Wire rope necessary: DIN 3060 FE zn k 1770 sZ	4 mm Ø	4 mm Ø	4 mm Ø
Weight (w/o rope)	4 kg	2,5 kg	2,5 kg

Vægspil type 220 / Hand rope winch type 220

Hånd-wirespil med lige udveksling

- Robust og pålidelig.
- Selvlåsende, tilbageslagsfri sikkerhedskrumtap med klapbart håndtag.
- Automatisk bremse (låser i enhver position).
- Vedligeholdelsesfrie glidelejer.
- Korrosionsbeskyttet.
- Lakeret overflade.
- Enkel og pladsbesparende montering.
- Svarer til sikkerhedsbestemmelserne i.h.t. BGV D 8.

Leveringsmuligheder:

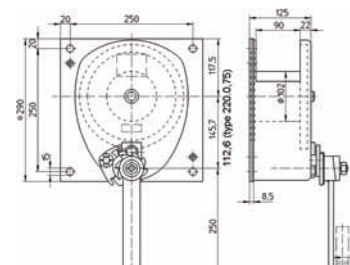
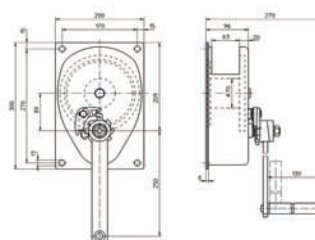
- Kan endvidere leveres galvaniseret.

Hand rope winch with spur gear:

- Robust and safe.
- Self-locking, blowback proof safety crank with folding handle.
- Load reaction brake.
- Maintenance free bearings.
- Corrosion resistant.
- Finish painted.
- Easy, space saving installation.
- In compliance with the German Safety Regulations for Lifting and Pulling Equipment BGV D 8.

Optional:

- Galvanized.



Art. No.	05-5021003	05-5021005	05-5021007	05-5021010
Type	220.0,3	220.0,5	220.0,75	220.1
Mounting	Wall	Wall	Wall	Wall
Material	Painted	Painted	Painted	Painted
Capacity 1 st rope position	300 kg	500 kg	750 kg	1.000 kg
Capacity 4 st rope position / last rope position	203 kg	336 kg	520 kg	750 kg
Lift/crank turn 1 th rope position	74 mm	30 mm	28 mm	19 mm
Crank force	180 N	210 N	200 N	180 N
Rope capacity	11 m	10 m	12 m	10 m
Wire rope necessary: DIN 3060 FE zn k 1770 sZ	6 mm Ø	6,5 mm Ø	8 mm Ø	9 mm Ø
Weight (w/o rope)	8,5 kg	8,8 kg	14 kg	15 kg

Specifications and products are subject to change / Der tages forbehold for trykfejl og udgåede varer

Vægspil type TANGO / Hand rope winch type TANGO



Type WV+WE

Det nyeste program af håndspil med følgende ordele:

- Korrosionsbeskyttet.
- Støjsvag.
- Høj wirekapacitet.
- Mulighed for uafhængig oprulning af wire.
- Kompakt udformning.
- Indkapslet hus.
- Selvlåsende bremse.
- Klappbart håndtag.
- Lav egenvægt.
- Gennemprøvet sikkerhedssystem.
- Leveres galvaniseret eller rustfri.
- Alternativ montering på konsol.

Leveringsmuligheder:

- Galvaniseret: type WV.
- Rustfri stål: type WE.

The future oriented range of hand winches with many advantages:

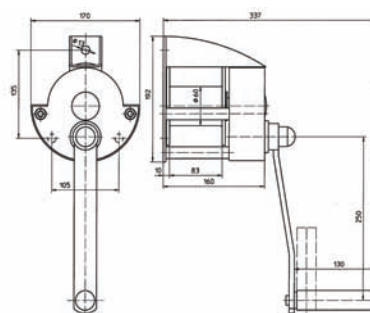
- Corrosion resistant.
- Quiet running.
- High rope capacity.
- Independant winding of rope possible.
- Compact form.
- Fully encased.
- Self-locking.
- Foldable crank handle.
- Low weight.
- Proven security concept.
- Zinc plated or in stainless steel.
- Alternatively mounting on brackets.

Optional:

- Zink plated: type WV.
- Stainless steel: type WE.



Art. No.	05-5022101	05-5022401	05-5022102	05-5022402
Type	WV 300	WE 300	WV 500	WE 500
Mounting	Wall	Wall	Wall	Wall
Material	Zinc plated	Stainless steel	Zinc plated	Stainless steel
Capacity	300 kg	300 kg	500 kg	500 kg
Wire rope Ø	4 mm	4 mm	5 mm	5 mm
Rope capacity max.	29 m	29 m	22 m	22 m
Cable drum Ø	60 mm	60 mm	60 mm	60 mm
Lift/crank turn	64 mm	64 mm	46 mm	46 mm
Gear ratio	3,1	3,1	4,5	4,5
Weight	5 kg	5 kg	5 kg	5 kg



Type KV+KE

Det nyeste program af håndspil med følgende fordele:

- Korrosionsbeskyttet.
- Støjsvag.
- Høj wirekapacitet.
- Mulighed for uafhængig oprulning af wire.
- Kompakt udformning.
- Indkapslet hus.
- Selvlåsende bremse.
- Klappbart håndtag.
- Lav egenvægt.
- Gennemprøvet sikkerhedssystem.
- Leveres galvaniseret eller rustfri.
- Alternativ montering på væg.

Leveringsmuligheder:

- Galvaniseret: type KV.
- Rustfri stål: type KE.

The future oriented range of hand winches with many advantages:

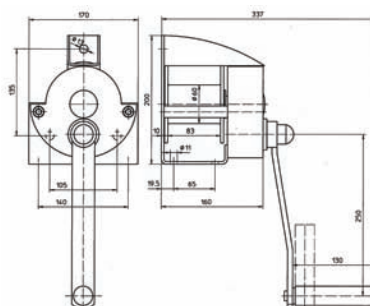
- Corrosion resistant.
- Quiet running.
- High rope capacity.
- Independant winding of rope possible.
- Compact form.
- Fully encased.
- Self-locking.
- Foldable crank handle.
- Low weight.
- Proven security concept.
- Zinc plated or in stainless steel.
- Alternatively mounting on wall.

Optional:

- Zink plated: type KV.
- Stainless steel: type KE.



Art. No.	05-5022201	05-5022301	05-5022202	05-5022302
Type	KV 300	KE 300	KV 500	KE 500
Mounting	Bracket	Bracket	Bracket	Bracket
Material	Zinc plated	Stainless steel	Zinc plated	Stainless steel
Capacity	300 kg	300 kg	500 kg	500 kg
Wire rope Ø	4 mm	4 mm	5 mm	5 mm
Rope capacity max.	29 m	29 m	22 m	22 m
Cable drum Ø	60 mm	60 mm	60 mm	60 mm
Lift/crank turn	64 mm	64 mm	46 mm	46 mm
Gear ratio	3,1	3,1	4,5	4,5
Weight	5 kg	5 kg	5 kg	5 kg



Specifications and products are subject to change / Der tages forbehold for trykfejl og udgåede varer



Håndspil KWV / KWE 150 - 1350

Bracket winch KWV / KWE 150 - 1350

Taljer og spil

- Robust design.
- Selvudløsende lastbremse.
- Åben konstruktion.
- Stor wirekapacitet.
- Korrosionsbeskyttet.

Leveres:

- Galvaniseret: type KWV.
- Rustfri stål: type KWE.

- Sturdy designed.
- Self-actuating load brake.
- Open construction.
- High rope capacity.
- Corrosion resistant.

Optional:

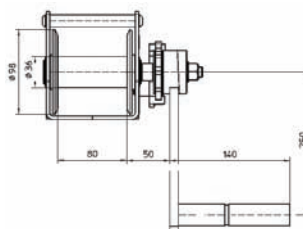
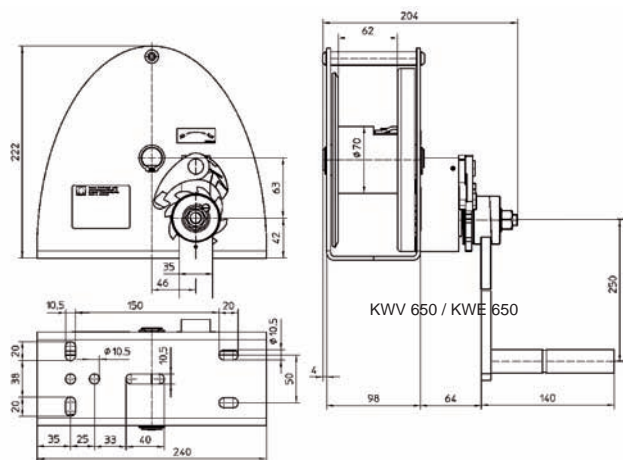
- Zinc-plated: type KWV.
- Stainless steel: type KWE.



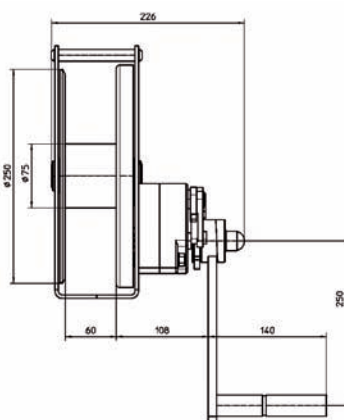
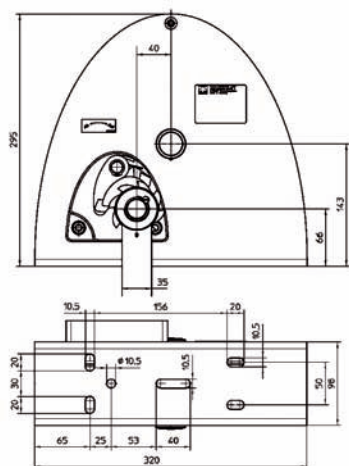
KWE 250



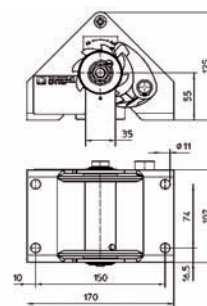
KWV 650



KWV 300 / KWE 250



KWV 1250 / KWE 1000

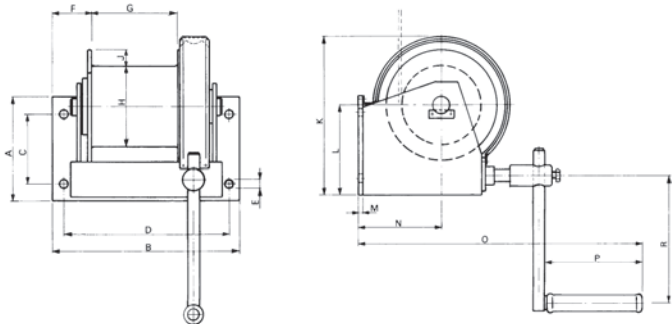


Art. No.	05-502250150	05-502260250	05-502250650	05-502260650	05-502251250	05-502261000
Type	KWV 300	KWE 250	KWV 650	KWE 650	KWV 1250	KWE 1000
Material	Zinc plated	Stainless steel	Zinc plated	Stainless steel	Zinc plated	Stainless steel
1st rope position kg	300	250	650	650	1.225	1.000
Final rope position kg	150	125	330	340	480	390
Crank force N	270	220	240	240	240	200
Lift / crank turn mm	126	126	39	39	16	16
Rope Ø mm	4	4	6	7	8	8
Rope capacity m	22	22	23	16	28,5	28,5
Weight (w/o rope) kg	4	4	9	9,3	16	16

Der tages forbehold for trykfejl og udgåede varer / Specifications and products are subject to change

Snekkespil

- Blød og sikker gang.
- Sikker selvslæsende lasttrykbremse.
- Støbt snekkehjul. Hærdet snekkeakselskrue af stål.
- Beskyttelseskappe over snekkehjul.
- Monteringsbeslag af lakeret stålplade.
- Hvert enkelt spil er individuelt nummereret og prøvebelastet.
- Godkendt af SIS til showbusiness brug.
- Test og EF-certifikat inkluderet.



Hand rope winch

- Easy and safe travel.
- Safe automatic load pressure brake.
- Cast iron worm wheel. Hardened worm screw.
- Protection guard around the worm wheel.
- Suspension of lacquered steel plate.
- Every wall mounted winch is marked with its own manufacturing number and is load tested.
- Approved by SIS for Showbiz use.
- Test and CE-certificate included.



	Wire Ø mm/ Drum capacity						
Model	4	5	6	8	10	12	14
6211	45	27	20				
6113		83	60	33	21		
6114			155	87	55	38	

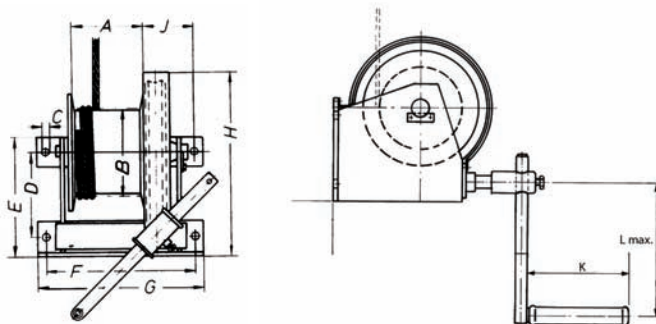
Art. No.	SWL kg	Model	Hand rot. per m lift	A	B	C	D	øE	F	G	øH	J	K	L	M	N	O	P	R max	Weight kg
05-5025011	250	6211A	32	157	210	100	183	14	46	71	100	28	225	132	4	116	350	105	225	12
05-5025013	600	6113A	34	180	320	120	280	17	63	150	140	28	285	164	8	150	463	145	360	27
05-5025014	1.000	6114A	38	180	350	120	320	17	63	170	140	52	332	189	10	177	540	145	360	36

Snekkespil type ML

Type ML

Denne type fra 2.000 kg til 5.000 kg er vor heavyduty serie.

- Selvlåsende bremse.
- Klappbart håndtag.



* Wire dia. efter DIN 3060/3066 (180 kg/mm²)
Under belastning skal mindst to wireomgange altid være på tromlen.

Art. No.	WLL kp	A	B	C	D	E	F	G	H	J	K	L
05-5031020	2.000	180	134	21	196	303	360	410	420	115	200	330
05-5031032	3.000	204	165	21	251	385	386	436	527	137	200	330
05-5031050	5.000	200	194	21	316	425	386	436	604	137	200	330

Alle vore snekkevægspil er konstrueret efter UVV BGV D8 og DIN 15020, 1.

Winch type ML

Type ML

The type ML is available from 2.000 kg. to 5.000 kg and is our heavy duty serie.

- Self-locking.
- Foldable handle.



Art. No.	05-5031020	05-5031032	05-5031050
Working load kp	2.000	3.000	5.000
Wire diameter *) mm	12	16	20
Drum capacity mtr.	32	29	28
Lift/crank turn - slow mm	10	9	6
Lift/crank turn - quick mm	30	25	25
Crank force daN	18	25	25
Weight kg	70	90	140

* Wire dia. Acc. To DIN 3060/3066 (180 kp/mm²)
Minimum 2 wire-turns must be on the wheel.

All ML-winchs are constructed acc. to UVV BGV D8 and DIN 15020, 1.

Specifications and products are subject to change / Der tages forbehold for trykfejl og udgåede varer



Håndspil type 468

Hand rope winch type 468



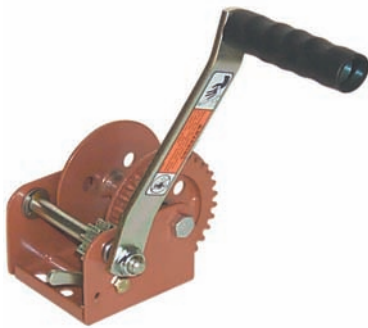
- Robust og enkelt betjent spil.
- Forskellige muligheder for montage.
- Selvlåsende snekkedrev.
- Vandtæt, indkapslet gearhus.
- Alle spil er afprøvet af BG og GS-testet.
- Kan anvendes med stålwire eller nylon-line.

- Robust, easy to operate winch.
- Various possibilities to mount.
- Self-locking worm gear drive, waterproof.
- All winches are proofed by BG and GS testet.
- For use with steel rope or polyamid rope.

Art. No.	05-5023001	05-5023002	05-5023003	05-5023004
Type	462.0,25	468.0,25	468.0,25K	468.0,25A
Handle	Ratchet lever	Fixed handle	Folding handle	Removeable handle
Adm. load	0,25t	0,25t	0,25t	0,25t
Rope dia. (Steel)	4 mm	4 mm	4 mm	4 mm
Rope dia. (Nylon)	8 mm	8 mm	8 mm	8 mm
Rope length	3,3 mm	3,3 mm	3,3 mm	3,3 mm
Crank force	66 N	66 N	66 N	66 N
Gear ratio	25:1	25:1	25:1	25:1
Lift/crank turn	5,8 mm	5,8 mm	5,8 mm	5,8 mm
Efficiency	0,2	0,2	0,2	0,2
Weight (apprx)	5,3 kg	3 kg	2,9 kg	3,7 kg

Trailerspil

Trailer winch



Standard duty



Medium duty



Heavy duty

Trailerspil er robuste og lette, hvilket gør dem anvendelige til et antal af opgaver så som: trailere, lystbåde, porte, låger, brønde m.m.
Spillet er TUFFPLATE korrosionsbehandlet (holder 3 gange længere).
Standard pris ekskl. wire.

Trailer winches are robust and light, which makes them suitable for various applications such as: trailers, yachts, doors, wells, etc.
The winches are TUFFPLATE corrosion finished (resist 3 times longer).
Standard price excl. wire.

Må ikke anvendes til løft eller transport af personer.

Must not be used for lifting or transport of people.

Art. No.	Model No.	Lift cap.kg	Drum hub dia. mm	Gear ratio	Handle length mm	Max. mechanical advantage	Base size cm	Reel Cap. (m) cable dia.mm
05-501100400	DL400 02809	181	16	1:1	178	18	9x8	16,9 / 4
05-501100401	DL400S 02795	181	16	1:1	178	18	9x8	16,9 / 4
05-501100600	DL600A 02812	272	16	3,2:1	178	57	10x9	19,2 / 4
05-501100900	DL900A 02796	408	16	3,2:1	178	54	10x9	10,9 / 5
05-501101100	DL1100A 02797	499	22	3,7:1	178	49	13x9	22,2 / 5
05-501101402	DL1402A 02817	635	22	4,4:1	241	76	13x10	14,2 / 6
05-501101403	DL1402ASC 02918	635	22	4,4:1	241	76	13x10	14,2 / 6
05-501101404	Caravan 07771	635	22	4,4:1	241	82	13x10	33 / 4
05-501101602	DL1602A 02818	726	28	5,4:1	241	77	13x10	20 / 6
05-501101802	DL1802A 02819	817	28	5,4:1	241	74	14x12	17,9 / 7
05-501101800	DL1800A 02799	817	28	10,3:1/5,4:1	241	142	14x12	17,9 / 7
05-501102000	DL2000A 02820	907	28	12,4:1/5,4:1	241	171	16x12	17,9 / 7
05-501102500	DL2500A 02821	1.134	28	17,3:1/5,4:1	241	232	18x12	14,2 / 8
05-501102501	DL2500AB 02810	1.134	28	17,3:1/5,4:1	241	232	18x12	14,2 / 8
05-501103500	DL3500B 06562	1.587	33	12:1/6:1	241	138	22x14	12,3 / 9
05-501110800	DLB800AG* 08053	363	48	4,4:1	178	30,1	13x10	23/4
05-501111200	DLB1200AG 08054	545	54	5,4:1	238	37,3	13x10	19,7/5
05-501111500	DLB1500AG 08055	680	64	5,4:1	305	47,1	14x12	15,1/6
05-501112000	DLB2000AG 08059	907	64	17,3:1	238	115	18x12	8,9/7

Der tages forbehold for trykfejl og udgåede varer / Specifications and products are subject to change