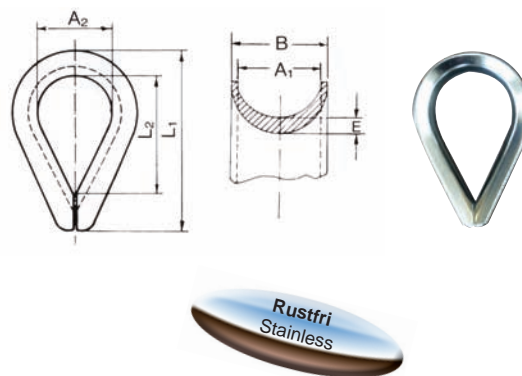


## Rustfri kovs

## Stainless steel thimble

### AISI 316

Art. No.	A1	A2	L2	E	Pack/pcs	Kg/100
01-4012002	3	9	17	1,0	100	0,2
01-4012003	4	10	18	1,0	100	0,3
01-4012004	5	11	20	1,2	100	0,5
01-4012005	6	13	21	1,2	100	0,7
01-4012006	7	15	27	1,5	100	1,2
01-4012007	8	19	33	1,5	100	1,5
01-4012008	9	22	38	2,0	50	2,7
01-4012009	10	24	41	2,0	50	2,9
01-4012010	11	27	48	2,5	Bulk	5,2
01-4012012	14	29	53	2,5	Bulk	5,5
01-4012014	16	32	57	3,0	Bulk	11,0
01-4012016	18	40	67	3,0	Bulk	12,0
01-4012018	20	45	75	4,0	Bulk	21,5
01-4012020	22	52	84	4,0	Bulk	32,0
01-4012022	24	56	96	5,0	Bulk	47,0
01-4012026	28	65	115	6,0	Bulk	80,0
01-4012028	30	76	135	6,0	Bulk	110
01-4012032	34	88	160	6,0	Bulk	156
01-4012034	36	100	160	6,0	Bulk	176
01-4012036	38	110	176	6,0	Bulk	192
01-4012038	40	115	184	8,0	Bulk	292
01-4012040	42	120	192	8,0	Bulk	320
01-4012042	45	150	240	8,0	Bulk	364



## Pladelås BG-SS

## Wire rope clip BG-SS



### AISI 304

Godkendt til løft.

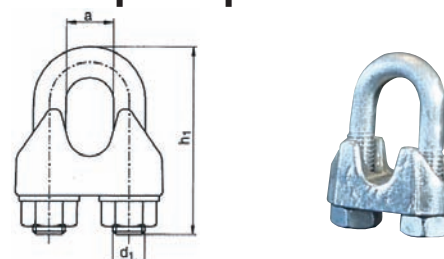
Approved for lifting.



Art. No.	Type	Rope dia mm	Rec. tightening torque (Nm)	Rec. number of clips		Weight each (g)
				lifting application	Not lifting	
01-5034013	BG-S3 SS	3	2,25	2	1	17
01-5034014	BG-S4 SS	4	4,0	2	1	24
01-5034015	BG-S5 SS	5	7,0	2	1	46
01-5034016	BG-S6 SS	6	7,0	-	1	61

## Rustfri bøjlewirelås

## Stainless wire rope clip



### AISI 316 / DIN 741

Art. No.	Rope dim. mm	d1	h1	a	Weight kg/100
01-5022002	2	M3	17	4	0,69
01-5022003	3	M4	20	5	1,20
01-5022004	4	M4	22	6	1,30
01-5022005	5	M5	24	6	1,40
01-5022006	6	M5	28	8	1,72
01-5022008	8	M6	34	10	4,10
01-5022010	10	M8	42	12	5,89
01-5022012	12	M10	55	15	13,00
01-5022016	16	M12	63	18	21,00
01-5022019	19	M12	75	21	28,00
01-5022022	22	M14	85	24	40,00
01-5022024	24	M14	95	27	42,39

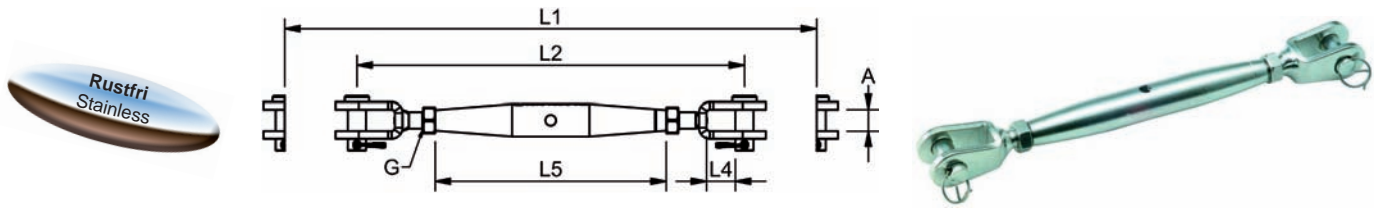
Ikke godkendt til løft.

Not approved for lifting.

Specifications and products are subject to change / Der tages forbehold for trykfejl og udgåede varer

## Rustfri vantskrue

## Stainless rigging screw



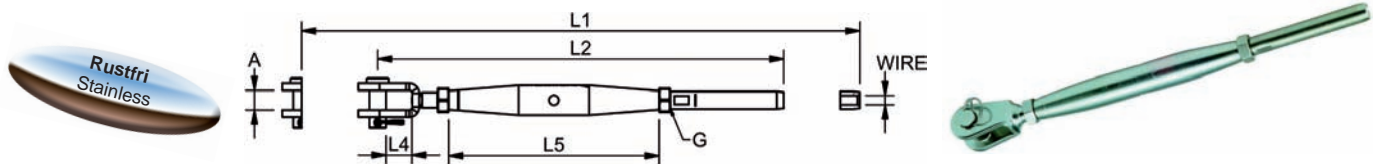
Gaffel / gaffel.  
AISI 316. Højglanspoleret.

Fork / fork.  
AISI 316. High polished.

Art. No.	Break load kg	G Thread	L1	L2	L4	L5	A	Pin size	Pack/pcs.	Kg/100
04-3015004	500	M4	156	106	8,8	70	6,5	4	10	3,3
04-3015005	800	M5	180	126	9,4	80	7,5	5	10	5,1
04-3015006	1.250	M6	200	138	9,4	92	7,5	5	10	9,0
04-3015006X	1.300	M6	202	140	10,4	92	9,5	6	10	14,0
04-3015008	1.300	M8	234	158	10,4	112	9,5	6	10	15,0
04-3015008X	2.350	M8	240	166	12,2	112	11	8	10	15,0
04-3015010	2.350	M10	272	188	14,0	120	11	8	10	24,0
04-3015010X	3.500	M10	280	196	14,0	120	12	9,5	10	26,0
04-3015012	5.100	M12	350	244	18,5	152	14	12	5	52,5
04-3015014	5.900	M14	403	283	24,7	172	18	14	5	63,5
04-3015016	8.000	M16	446	313	24,3	192	18	16	5	100
04-3015020	13.000	M20	550	390	38,3	223	24	19	BULK	197
04-3015022	17.000	M22	653	472	46,0	270	30	22	BULK	430
04-3015024	20.000	M24	769	536	47,8	320	30	25,4	BULK	638

## Rustfri vantskrue

## Stainless rigging screw



Gaffel / terminal.  
AISI 316. Højglanspoleret.

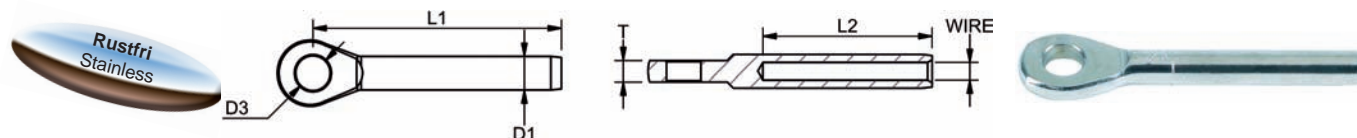
Fork / terminal.  
AISI 316. High polished.

Art. No.	Break load kg	G Metr.	Wire mm	L1	L2	L4	L5	A	Pin size	Pack/pcs.	Kg/100
01-801100204	500	M4	2	188	136	8,8	70	6,5	4,0	10	3,3
01-801100205	800	M5	2	206	152	9,4	80	7,5	5,0	10	4,5
01-801100305	800	M5	2,5	206	152	9,4	80	7,5	5,0	10	4,6
01-801100306	1.250	M6	3	232	170	9,4	92	7,5	5,0	10	8,5
01-8011000306	1.300	M6	3	233	171	10,4	92	9,5	6,0	10	8,5
01-801100406	1.000	M6	4	242	180	10,4	92	7,5	5,0	10	8,7
01-801100406X	1.300	M6	4	242	180	10,4	92	9,5	6,0	10	9,1
01-801100408	1.300	M8	4	275	199	10,4	112	9,5	6,0	10	13,0
01-801100408X	2.350	M8	4	277	201	12,2	112	11,0	8,0	10	13,0
01-801100510	2.350	M10	5	312	228	14,0	120	11,0	8,0	10	22,5
01-80110051X0	3.500	M10	5	316	232	14,0	120	12,0	9,5	10	22,5
01-801100612	5.100	M12	6	393	287	18,5	152	14,0	12,0	10	47,5
01-801100714	5.900	M14	7	447	327	24,7	172	18,0	14,0	5	58,0
01-801100816	8.000	M16	8	499	366	24,3	192	18,0	16,0	5	89,5
01-801101020	13.000	M20	10	587	427	38,3	223	24,0	19,0	5	170,1
01-801101220	13.000	M20	12	606	446	38,3	223	24,0	19,0	BULK	170,1
01-801101220X	13.000	M20	12	622	462	38,3	223	24,0	19,0	BULK	170,1
01-801101422	17.000	M22	14	736	556	46,0	270	30,0	22,0	BULK	386,0
01-801101624	20.000	M24	16	874	641	47,8	320	30,0	25,4	BULK	662,0

Der tages forbehold for trykfejl og udgåede varer / Specifications and products are subject to change

## Rustfri øjeterminal

## Stainless eye terminal



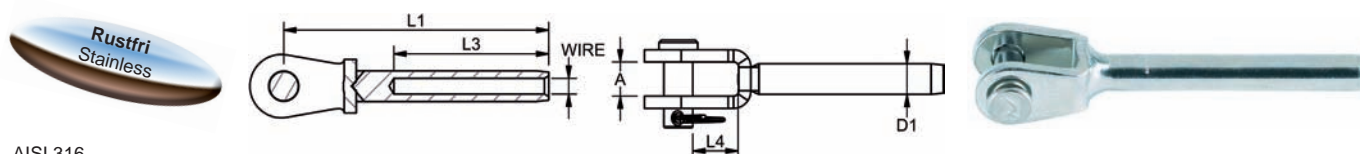
AISI 316. Højglanspoleret.

AISI 316. High polished.

Art. No.	Break load kg	Wire mm	Wire Inch.	D1	D3	L1	L2	T	Pack/pcs.	Kg/100
01-8010002	800	2,0	1/16"	5,5	5,5	49	32	3	100	0,9
01-8010002/0,5	800	2,5	3/32"	5,5	5,5	49	32	3	100	0,8
01-8010003	1.300	3,0	1/8"	6,35	6,5	58	38	4	100	1,3
01-8010004	2.350	4,0	5/32"	7,5	8,5	67	45	5	100	2,3
01-8010005	3.500	5,0	3/16"	9,0	10,5	79	51	6	25	3,9
01-8010005/0,5	3.500	-	7/32"	10,8	10,5	85	59	6	25	6,0
01-8010006	5.600	6,0	-	12,58	13,0	94	64	8	10	8,7
01-8010006X	6.200	6,0	-	12,58	13,2	105	64	10	10	13,2
01-8010006/0,3	5.600	-	1/4"	12,58	13,0	95	64	8	10	8,5
01-8010006/0,3X	6.200	-	1/4"	12,58	13,2	105	64	10	10	11,0
01-8010007	5.600	7,0	9/32"	14,2	13,0	104	70	9	10	11,5
01-8010007X	6.200	7,0	9/32"	14,2	13,2	110	70	10	10	13,5
01-8010008	7.600	8,0	5/16"	16,0	14,5	124	83	10	10	17,0
01-8010008X	9.800	8,0	5/16"	16,0	16,5	141	83	12	10	23,5
01-8010009/0,5	9.800	-	3/8"	17,8	16,3	137	89	11	10	25,3
01-8010009/0,5X	13.000	-	3/8"	17,8	19,5	165	100	16	10	38,1
01-8010010	9.800	10,0	-	17,8	16,3	137	89	11	10	25,0
01-8010010X	9.800	10,0	-	17,8	16,3	165	100	16	10	38,0
01-8010010XX	13.000	10,0	-	17,8	19,5	165	100	16	10	38,0
01-8010012	13.000	12,0	-	20,0	19,3	156	105	15	5	41,5
01-8010012X	13.000	12,0	-	21,4	19,3	178	120	15	5	41,0
01-8010013	13.000	-	1/2"	21,4	19,3	178	120	15	5	41,0
01-8010014	17.000	14,0	-	25,0	23,0	206	140	18	5	75,6
01-8010016	24.000	16,0	5/8"	28,0	26,0	232	160	20	5	102,0
01-8010019	27.000	19,0	-	34,5	28,5	302	200	25	BULK	209,0
01-8010022	31.000	22,0	-	40,4	33,0	348	230	30	BULK	314,0
01-8010026	43.000	26,0	-	46,0	36,0	400	280	30	BULK	425,0

## Rustfri gaffelterminal

## Stainless fork terminal



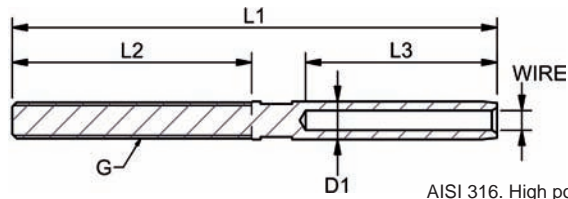
AISI 316

Art. No.	Breaking load kg	Wire mm	Wire inch.	D1	L1	L3	L4	Pin size	A	Pack/pcs.	Kg/100
01-801120402	500	2,0	1/16"	5,5	55	32	7,5	4,0	6,5	25	2,0
01-801120502	800	2,0	1/16"	5,5	58	32	9,5	5,0	7,5	25	2,0
01-801120502/0,5	800	2,5	3/32"	5,5	58	32	9,5	5,0	7,5	25	2,0
01-801120503	800	3,0	1/8"	6,35	67	38	9,5	5,0	7,5	25	2,3
01-801120603	1.300	3,0	1/8"	6,35	68	38	10	6,0	9,5	25	2,8
01-801120504	800	4,0	5/32"	7,5	71	45	9,5	5,0	7,5	25	2,7
01-801120604	1.300	4,0	5/32"	7,5	73	45	10	6,0	9,5	25	3,4
01-801120804	2.350	4,0	5/32"	7,5	77	45	11	8,0	11,0	25	4,9
01-801120605	1.300	5,0	3/16"	9,0	83	51	10	6,0	9,5	25	4,1
01-801120805	2.350	5,0	3/16"	9,0	87	51	11	8,0	11,0	10	5,5
01-801120905	3.500	5,0	3/16"	9,0	91	51	14,25	9,5	12,0	10	7,2
01-801120806	2.350	6,0	-	12,58	99	64	11	8,0	11,0	10	10,0
01-801120906	3.500	6,0	-	12,58	104	64	14,25	9,5	12,0	10	11,3
01-801121106	4.700	6,0	-	12,58	108	64	17,5	11,0	13,0	10	13,9
01-801121106X	4.700	-	1/4"	12,58	108	64	17,5	11,0	13,0	10	13,9
01-801121206	5.100	6,0	-	12,58	110	64	19	12,0	14,0	10	17,6
01-801121207	5.100	7,0	9/32"	14,2	119	70	19	12,0	14,0	10	18,1
01-801121208	5.100	8,0	5/16"	16,0	136	83	19	12,0	14,0	10	21,6
01-801121608	9.600	8,0	5/16"	16,0	145	83	25	16,0	18,0	10	25,5
01-801121408	7.600	-	3/8"	17,8	151	89	26	14,0	18,0	10	35,0
01-801121410	7.600	10,0	-	17,8	151	89	26	14,0	18,0	10	35,0
01-801121410X	7.600	10,0	-	17,8	149	89	24	14,0	22,0	10	36,0
01-801121612	9.600	12,0	-	20,0	174	105	25	16,0	18,0	5	60,0
01-801121612X	9.600	12,0	-	20,0	171	105	23	16,0	22,0	5	60,0
01-801121912	13.000	12,0	-	20,0	189	105	42,5	19,0	24,0	5	66,0
01-801121914	13.000	12,0	-	20,0	187	105	38,5	19,0	30,0	5	66,0
01-801121912	13.000	12,0	-	21,40	205	120	42,5	19,0	24,0	5	75,0
01-801121912X	13.000	-	1/2"	21,40	205	120	42,5	19,0	24,0	5	75,0
01-801121914	13.000	14	-	25,00	221	140	38,5	19,0	30,0	5	75,0
01-801122214	17.000	14	-	25,00	232	140	46	22,0	30,0	5	112,7
01-801122514	24.000	14	-	25,00	235	140	49,3	25,4	30,0	5	125,0
01-801120216	24.000	16	-	28,00	264	160	49,3	25,4	30,0	5	140,0

Specifications and products are subject to change / Der tages forbehold for trykfejl og udgåede varer

## Rustfri gevindterminal

## Stainless thread terminal



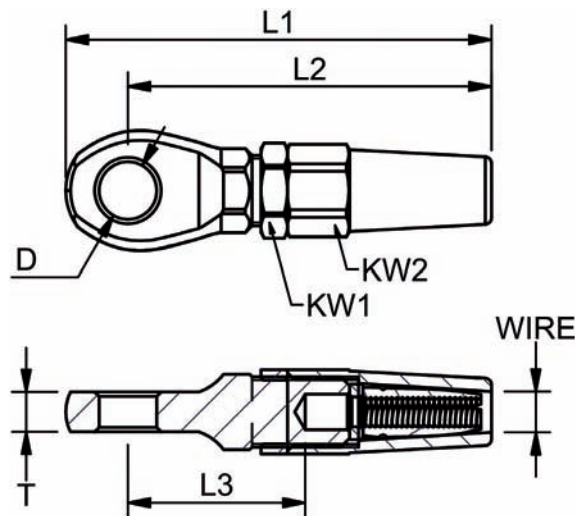
AISI 316. Højglanspoleret.

AISI 316. High polished.

Art. No. right	Art. No. left	Break load kg	Thread	Wire mm	L1	L2	L3	D	Pack/pcs.	Kg/100
01-801130205	01-801140205	800	M5	2,0	87	32	42	5,5	BULK	1,4
01-801130205X	01-801140205X	800	M5	2,5	87	32	42	5,5	BULK	1,5
01-801130306	01-801140306	1.300	M6	3,0	100	38	48	6,35	BULK	2,0
01-801130406	01-801140406	1.300	M6	4,0	110	45	48	7,5	BULK	2,4
01-801130408	01-801140408	2.350	M8	4,0	117	45	57	7,5	BULK	3,0
01-801130508	01-801140508	2.350	M8	5,0	125	51	57	9,0	BULK	4,0
01-801130510	01-801140510	3.500	M10	5,0	130	51	63	9,0	BULK	4,5
01-801130610	01-801140610	3.500	M10	6,0	145	64	63	12,58	BULK	8,4
01-801130612	01-801140612	5.100	M12	6,0	162	64	80	12,58	BULK	11,0
01-801130714	01-801140714	5.900	M14	7,0	180	70	89	14,2	BULK	16,0
01-801130816	01-801140816	8.000	M16	8,0	203	83	100	16,0	BULK	23,0
01-801131020	01-801141020	13.000	M20	10	230	89	120	17,8	BULK	35,0
01-801131220	01-801141220	13.000	M20	12	249	105	120	20,0	BULK	45,0
01-801131220X	01-801141220X	13.000	M20	12	265	120	120	21,4	BULK	50,0
01-801131422	01-801141422	17.000	M22	14	308	140	140	25,0	BULK	76,8
01-801131624	01-801141624	23.000	M24	16	363	160	170	28,0	BULK	111

## Skrueterminal med øje

## Swageless terminal with eye



AISI 316.  
Højglanspoleret.

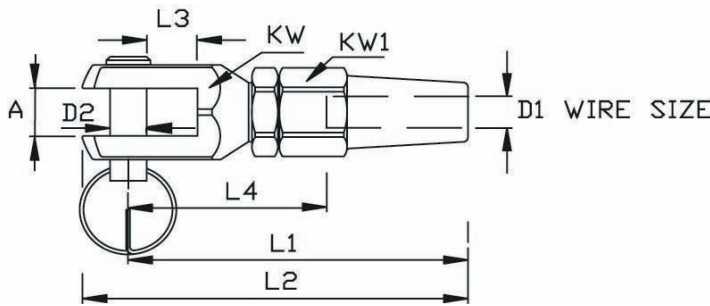
AISI 316.  
High polished.

Art. No.	Break. load kg	Wire mm	Wire inch	L1	L2	L3	T	D	KW1	KW2	Kg/100
01-801230305/0,5	750	3	1/18"	58	50	26,5	5,5	6,3	10	12	4,0
01-801230407	1.500	4	5/32"	68	58	31,0	7	8,3	13	14	7,3
01-801230508	2.180	5	-	81	70	37,0	8	10,3	14	16	9,8
01-801230609	3.700	6	1/4"	97	83	45,0	9	13,0	17	19	15,0
01-801230709	4.700	7	9/32"	105	89	50,0	9	13,0	18	21	21,2
01-801230810	5.600	8	5/16"	121	103	52,5	10	14,5	19	24	28,1
01-801231013	8.300	10	-	135	116	65,0	13	16,2	24	27	46,0
01-801231215	12.000	12	-	160	137	71,5	15	19,5	27	32	72,0
01-801231418	14.000	14	-	185	160	85,0	18	22,0	30	36	110,0
01-801231620	23.000	16	-	197	170	98,0	20	25,0	32	41	160,0

Der tages forbehold for trykfejl og udgåede varer / Specifications and products are subject to change

## Skrueterminal med gaffel

## Swageless terminal with fork



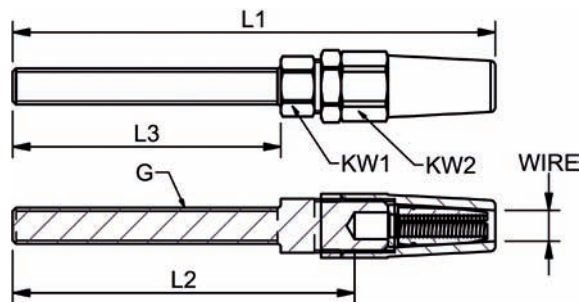
AISI 316. Højglanspoleret.

AISI 316. High polished.

Art. No.	Breaking load kg	Wire mm	Wire inch	A	L1	L2	L3	L4	Pin size	KW1	KW2	Kg/100
01-801220306	750	3		6	63	55	29,0	8	6	14	12	4,0
01-801220306X	750		1/8"	6	63	55	29,0	8	6	14	12	4,0
01-801220408	1.500	4	5/32"	8	73	62	35,0	8	8	19	14	7,3
01-801220410	2.150		3/16"	10	83	72	42,0	10	10	22	16	9,8
01-801220510	2.180	5		10	83	72	42,0	10	10	22	16	9,8
01-801220512	3.000		7/32"	12	95	82	47,5	12	12	27	19	15,0
01-801220612	3.700	6		12	95	82	47,5	12	12	27	19	15,0
01-801226612X	3.700		1/4"	12	95	82	47,5	12	12	27	19	15,0
01-801220712	4.700	7	9/32"	12	115	102	54,5	13	12	29	22	21,2
01-801220814	5.600	8	5/16"	14	118	103	58,0	14	14	30	24	28,1
01-801220816	8.000		3/8"	16	135	117	70,0	16	16	36	27	46,0
01-801221016	8.300	10		16	135	117	70,0	16	16	36	27	46,0
01-801221218	12.000	12		18	162	142	75,0	16	19	42	32	72,0
01-801221218X	13.600		1/2"	18	162	142	75,0	16	19	42	32	72,0
01-801221421	17.000	14		21	190	162	88,0	19	22	46	36	110,0
01-801221623	23.000	16		23	217	184	102,0	22	25	55	41	160,0

## Skrueterminal med gevind

## Swageless terminal with thread



AISI 316. Højglanspoleret.

AISI 316. High polished.

Art. No. right	Art. No. left	Breaking load kg	Wire mm	Thread	L1	L2	L3	KW1	KW2	Kg/100
01-801200305	01-801210305	750	3	M5	79	58	42	10	12	4,2
01-801200306	01-801210306	750	3	M6	85	63	47	10	12	4,5
01-801200406	01-801210406	1.500	4	M6	92	63	47	12	14	5,6
01-801200408	01-801210408	1.500	4	M8	102	72	57	12	14	6,6
01-801200508	01-801210508	2.180	5	M8	111	78	57	13	16	9,0
01-801200510	01-801210510	2.180	5	M10	117	84	63	13	16	10,0
01-801200610	01-801210610	3.700	6	M10	128	90	63	16	19	15,0
01-801200612	01-801210612	3.700	6	M12	145	107	80	16	19	17,0
01-801200712	01-801210712	4.700	7	M12	153	110	80	18	22	22,0
01-801200714	01-801210714	4.700	7	M14	162	119	89	18	22	25,0
01-801200812	01-801210812	5.600	8	M12	162	113	80	19	24	28,0
01-801200814	01-801210814	5.600	8	M14	171	122	89	19	24	31,0
01-801200816	01-801210816	5.600	8	M16	182	133	100	19	24	40,0
01-801201016	01-801211016	8.300	10	M16	190	139	100	24	27	48,0
01-801201220	01-801211220	12.000	12	M20	227	159	120	27	32	79,0
01-801201423	01-801211422	17.000	14	M22	264	191	140	30	36	124,0
01-801201624	01-801211624	23.000	16	M24	308	227	170	32	41	175,0

Specifications and products are subject to change / Der tages forbehold for trykfejl og udgåede varer

## Rundgodssjækkel

### Type „H”

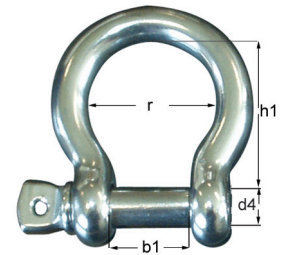
Rustfrie sjækler i rundgods udført i min. AISI 304.  
\* WLL t kun vejledende, ikke godkendt til løft.  
Kan også leveres godkendt til løft.

## Shackle

Round stainless steel shackles min. AISI 304.  
\* WLL t is only approx, not approved for lifting.  
Can also be delivered approved for lifting.



Art. No.	WLL t *	A	d4	b1	r	h1	Weight kg/100
03-3021004	0,160	4 mm - 5/32"	M4	8	12	16	0,80
03-3021005	0,250	5 mm - 3/16"	M5	10	15	20	1,80
03-3021006	0,375	6 mm - 1/4"	M6	12	18	24	2,60
03-3021008	0,625	8 mm - 5/16"	M8	16	24	32	5,80
03-3021010	1,000	10 mm - 3/8"	M10	20	30	40	11,30
03-3021012	1,500	12 mm - 1/2"	M12	25	36	48	20,90
03-3021016	2,750	16 mm - 5/8"	M16	32	48	64	49,80
03-3021020	3,750	20 mm - 3/4"	M20	38	60	80	92,50
03-3021022	4,750	22 mm - 7/8"	M22	44	66	88	136,00
03-3021024	5,750	24 mm - 1"	M24	50	75	100	192,40t



## Rundgodssjækkel

### Type „D”

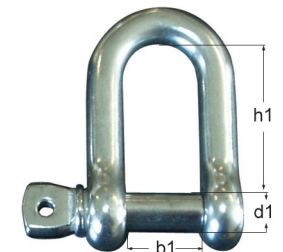
Rustfrie sjækler i rundgods udført i min. AISI 304.  
Ej godkendt til løft.  
Kan også leveres godkendt til løft.

## Shackle

Round stainless steel shackles min. AISI 304.  
Not approved for lifting.  
Can also be delivered approved for lifting.



Art. No.	WLL t *	A	d1	b1	h1	Weight kg/100
03-3020004	0,160	4 mm - 5/32"	M4	8	16	0,75
03-3020005	0,250	5 mm - 3/16"	M5	10	19	1,60
03-3020006	0,375	6 mm - 1/4"	M6	12	24	2,52
03-3020008	0,625	8 mm - 5/16"	M8	16	32	5,80
03-3020010	1,000	10 mm - 3/8"	M10	20	40	11,10
03-3020012	1,500	12 mm - 1/2"	M12	25	48	20,20
03-3020016	2,750	16 mm - 5/8"	M16	32	64	47,40
03-3020020	3,750	20 mm - 3/4"	M20	38	76	79,30
03-3020022	4,750	22 mm - 7/8"	M22	44	88	126,00
03-3020024	5,750	24 mm - 1"	M24	50	100	186,40



Kan også leveres med kærv.

Can also be supplied with sink/screw pin.

## Rustfri sjækler AISI 304 Stainless shackles AISI 304

Rustfri sjækler i pladeudførelse AISI 304.  
Ej godkendt til løft.

Stainless steel plateshacksles AISI 304.  
Not approved for lifting.

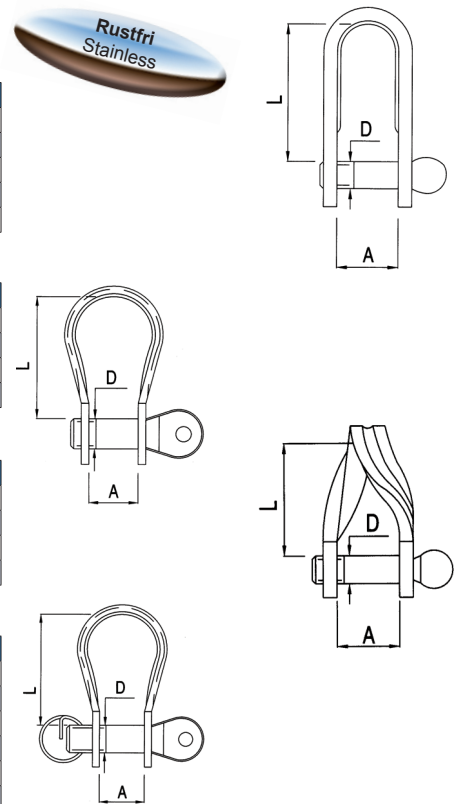


Art. No.	Breaking load kg	D mm	A mm	L mm	Pack pcs.	Weight kg/100
03-3022201	600	4	11	20	100	0,5
03-3022204	1.000	5	15	36	100	1,8
03-3022205	1.100	5	13	26	100	1,5
03-3022206	1.650	6	15	40	25	2,9
03-3022211	2.750	8	20	41	25	5,0

Art. No.	Breaking load kg	D mm	A mm	L mm	Pack pcs.	Weight kg/100
03-3022301	2.000	M6	14	23	50	2,5
03-3022302	3.000	M8	17	31	50	4,5
03-3022303	4.800	M10	21	40	25	8,5
03-3022304	7.000	M12	25	50	25	16,0

Art. No.	Breaking load kg	D mm	A mm	L mm	Weight kg/100
03-3022401	1.200	M5	12	22	1,5
03-3022402	1.200	M5	12	33	1,7
03-3022403	2.000	M6	14	36	2,9
03-3022404	3.000	M8	18	36	5,0

Art. No.	Breaking load kg	D mm	A mm	L mm	Pack pcs.	Weight kg/100
03-3022501	2.000	M6	14	23	50	2,7
03-3022502	2.000	M6	14	40	50	3,1
03-3022503	3.000	M8	17	31	50	4,8
03-3022504	3.000	M8	18	42	50	5,3
03-3022505	4.800	M10	21	40	25	9,0
03-3022506	7.000	M12	25	50	25	16,5



Specifications and products are subject to change / Der tages forbehold for trykfejl og udgåede varer